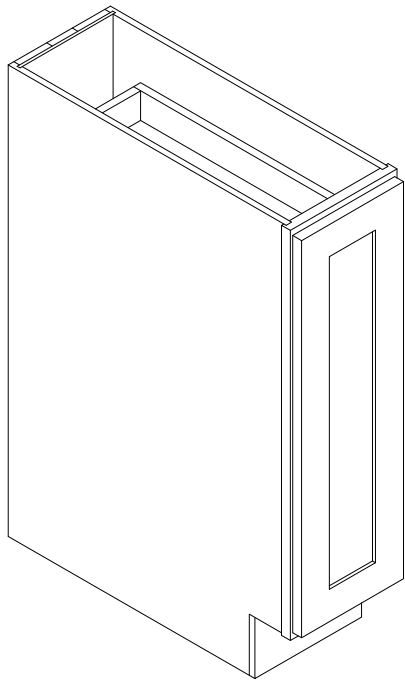
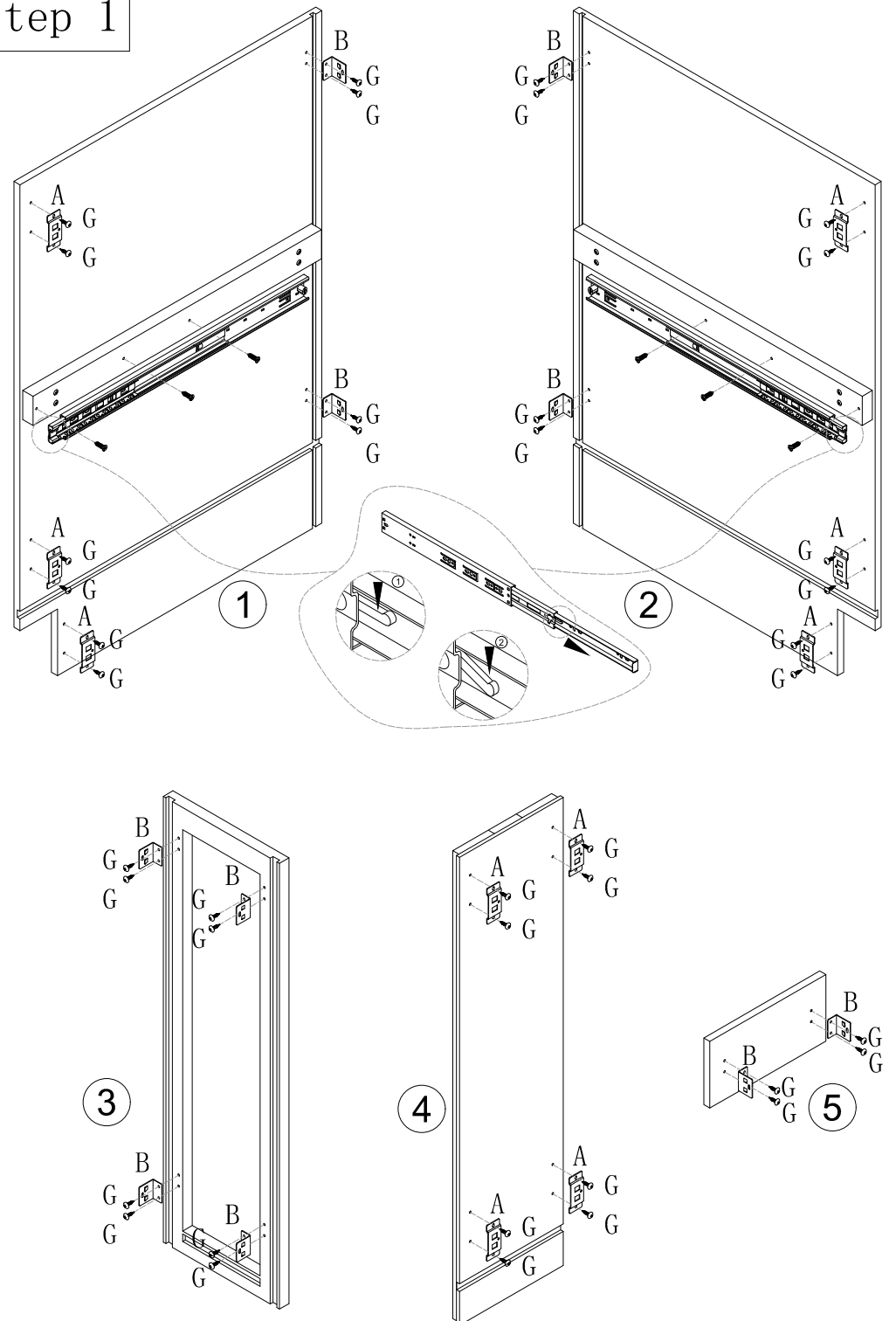


ASSEMBLY INSTRUCTIONS

TB09



Step 1

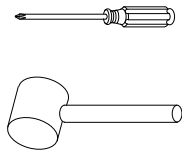


Parts list

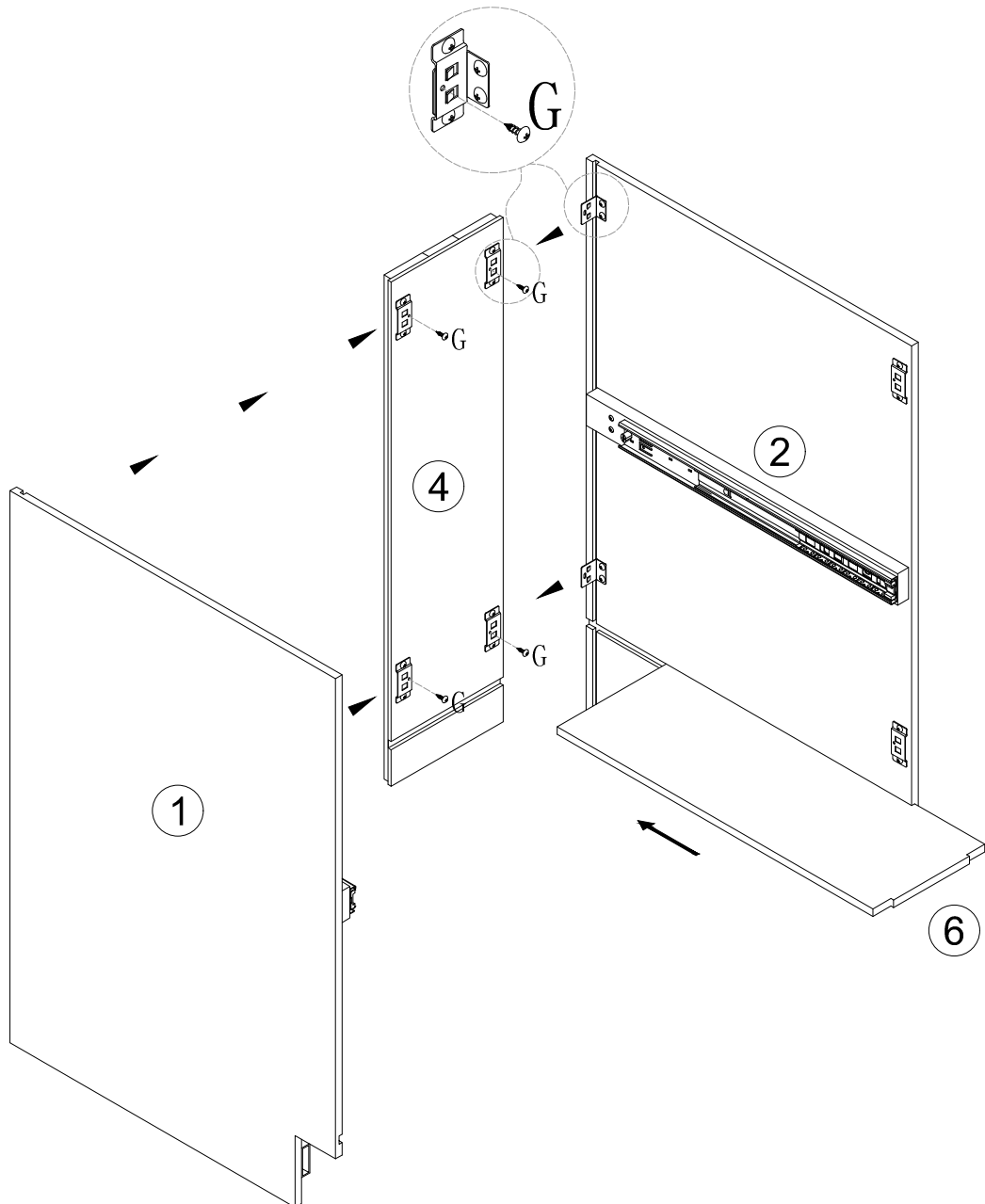
NO.	Parts	QTY
A		10
B		10
C		16
D		16
E		4

NO.	Parts	QTY
F		1
G		50
H		24
I		7

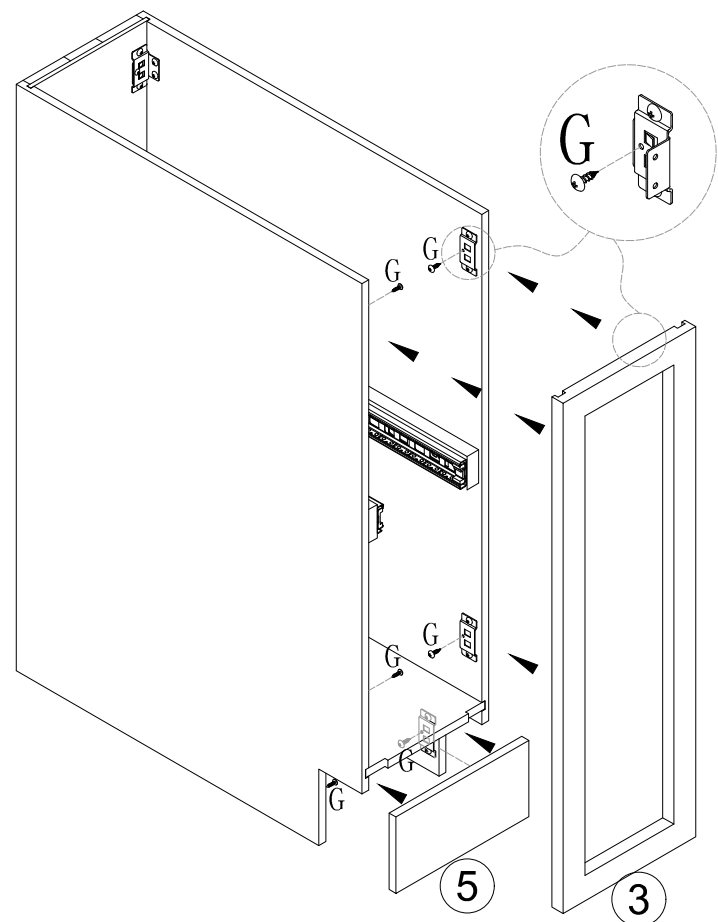
Tools
(required but not provided)



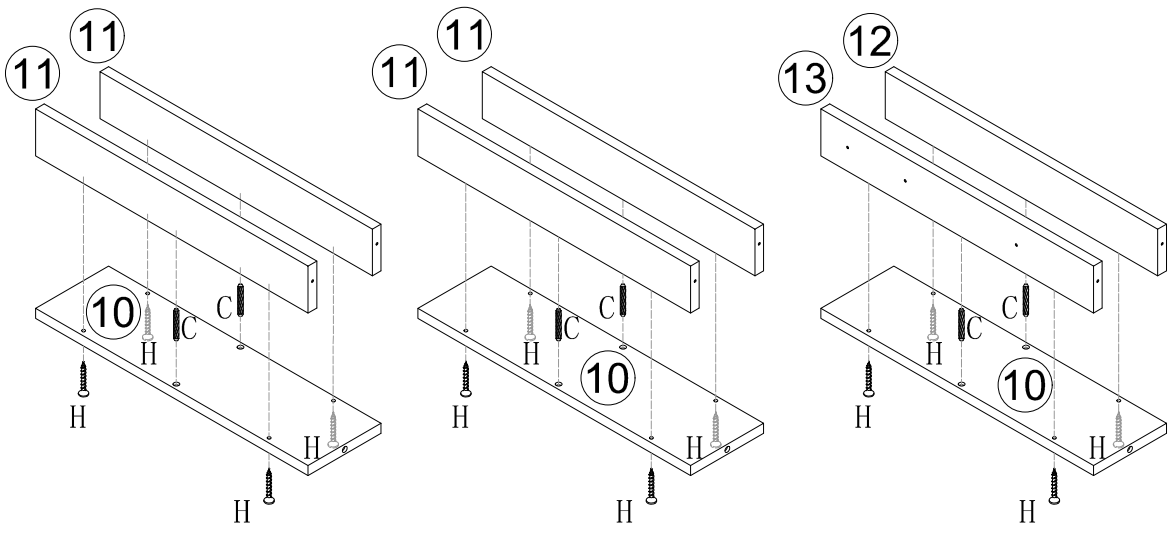
Step 2



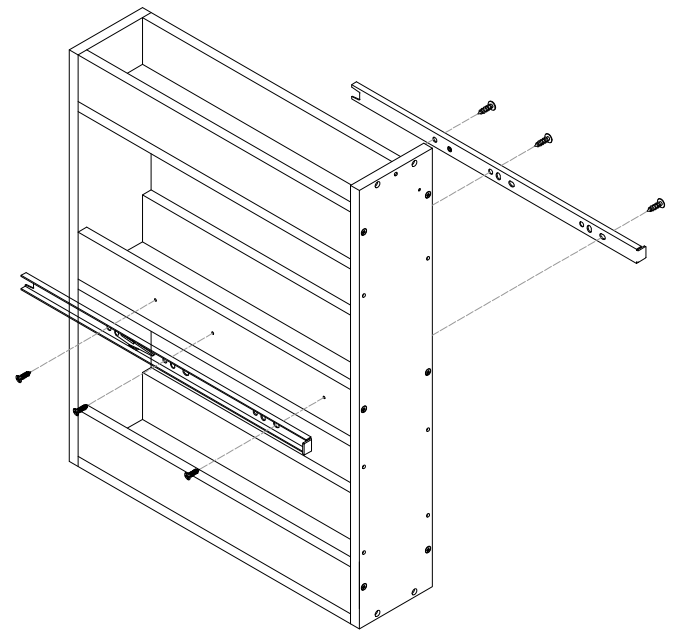
Step 3



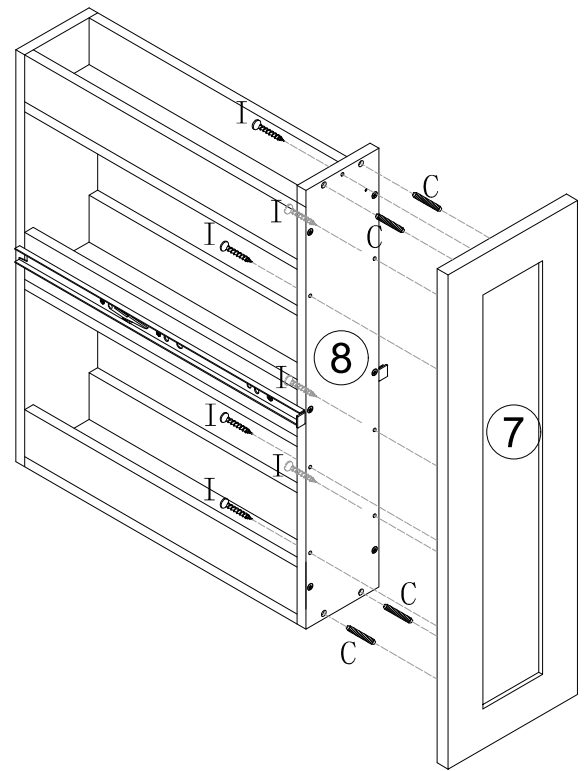
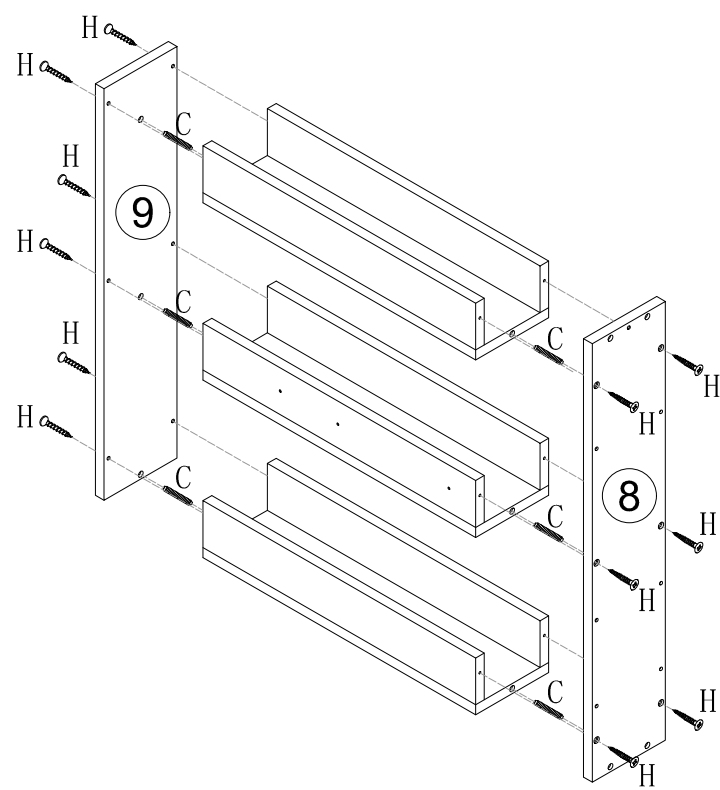
Step 4



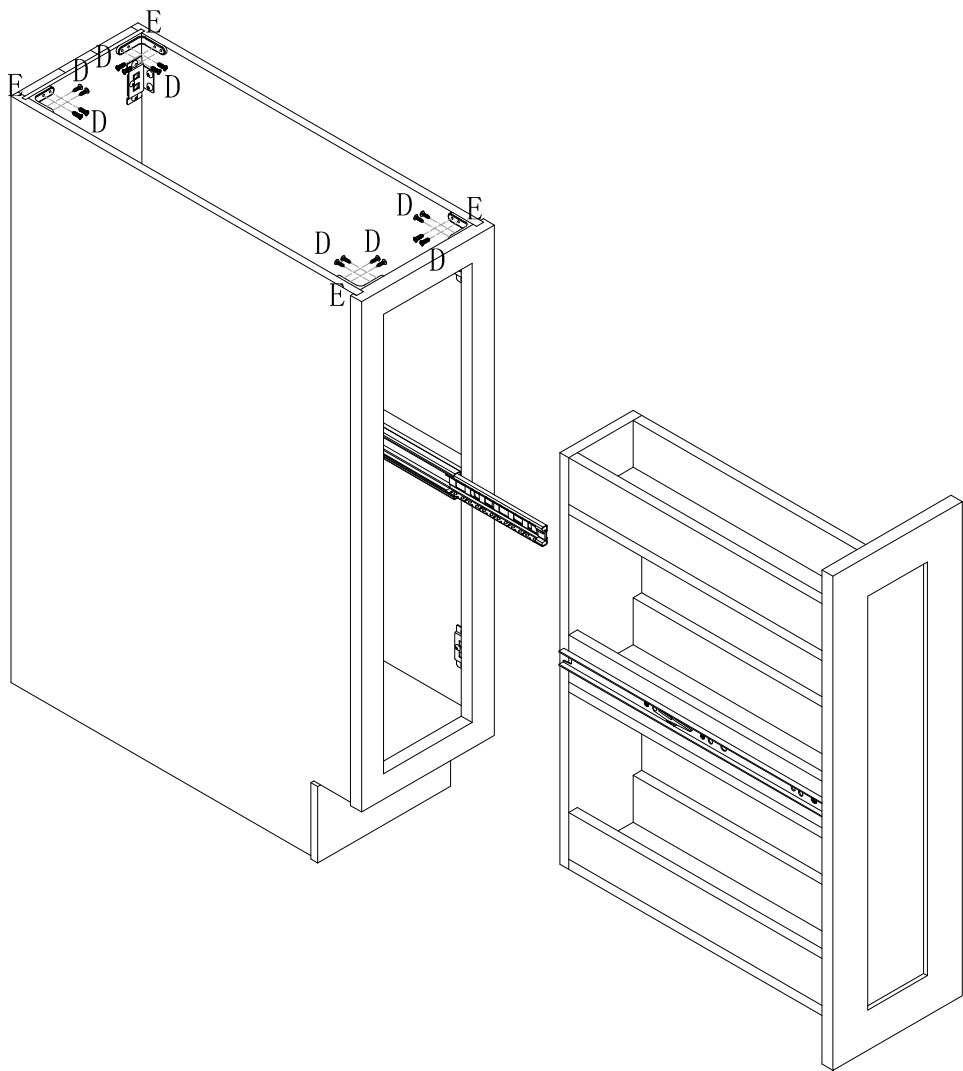
Step 6



Step 5



Step 7



Finished

